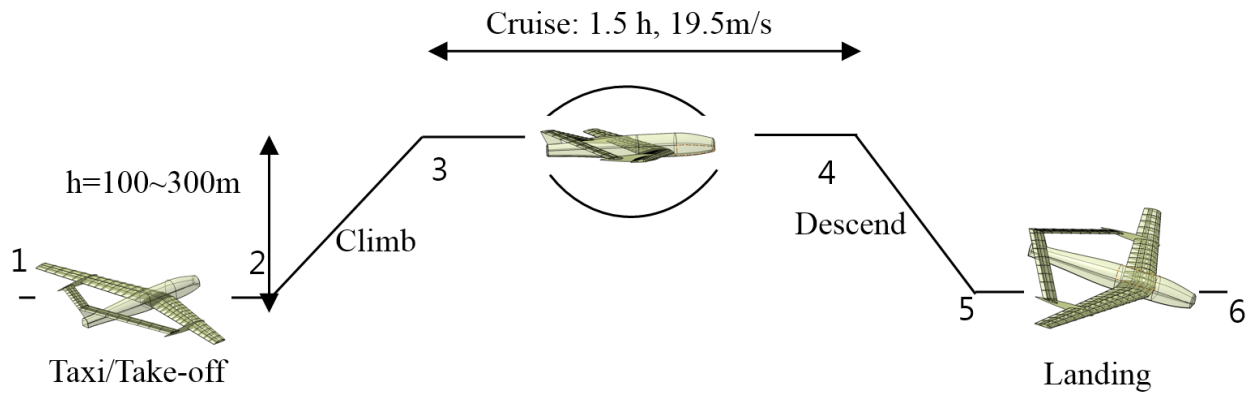


SAMUC-2 (AeroScanner)

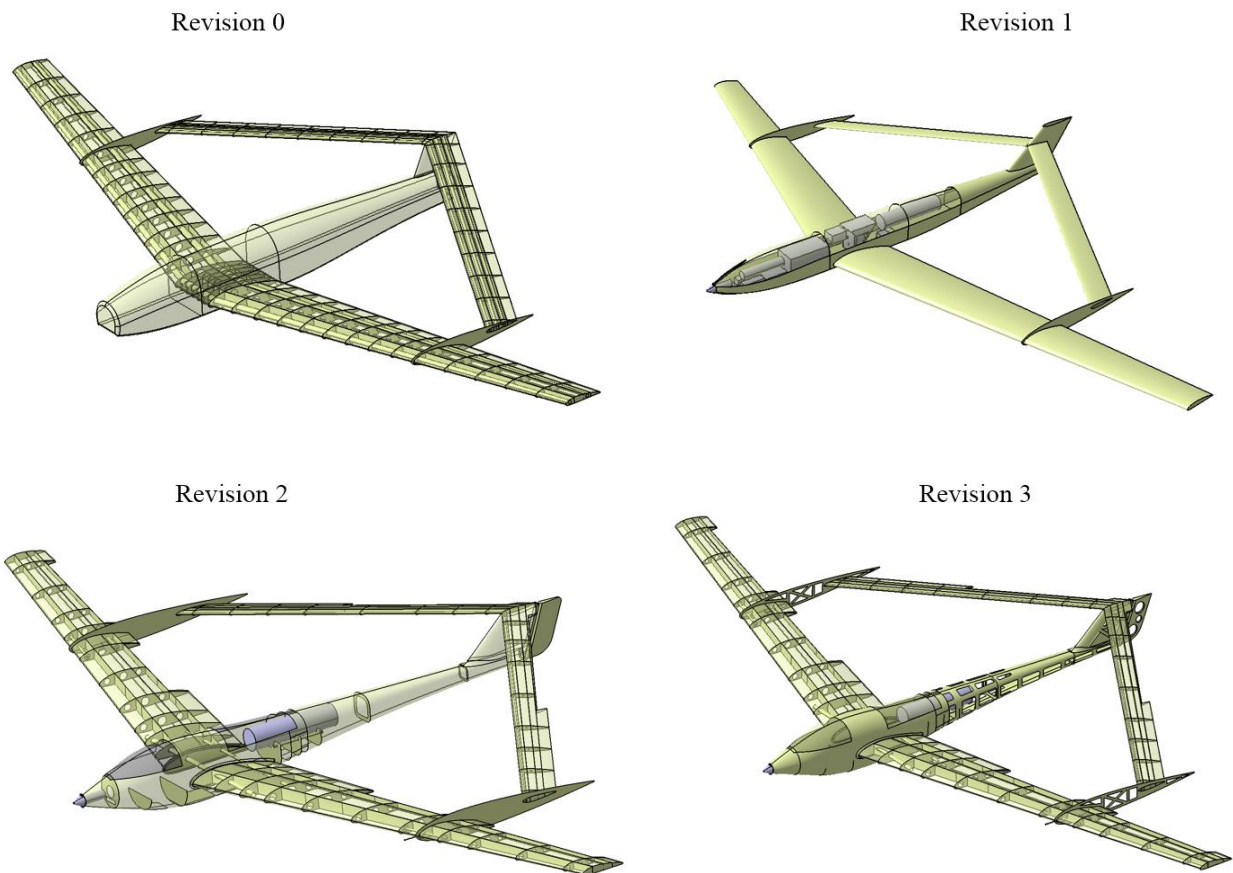


Name	SAMUC-2 (AeroScanner)
Specifications	Joined Wing Design Wing Span: 5 m MTOW: 20 kg Propulsion: Hydrogen Fuel Cell – 500 W / 2 LiPo Batteries FCC (Flight Control Computer)/GPS Real Time Video Recording and Transmission Communication Equipment (RF/LTE) Assisted Takeoff Composite Airframe Structures
Characteristics	Endurance: 90 minutes Maximum Range: 160 km Altitude: Max 3000 m Velocity: 100 km/h
Applications	Forest Fire Surveillance and Seashore Patrol
Others	Fuselage Length: 2.7 m Retractable Landing Gear

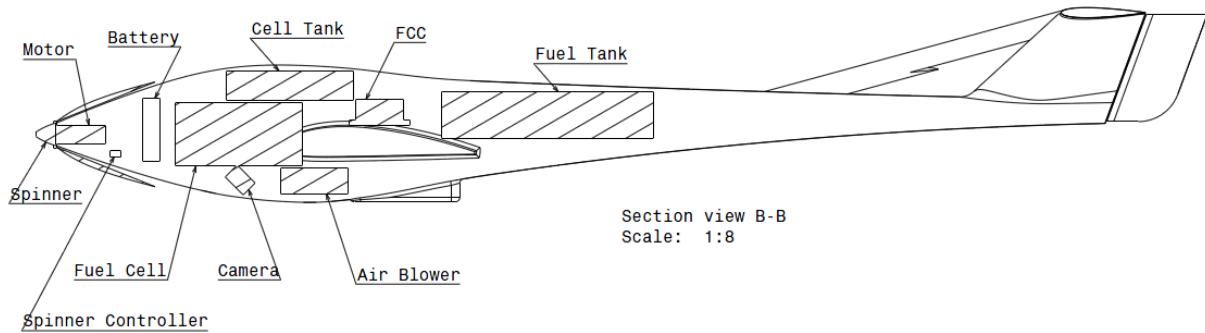
Flight Path



Design Evolution



Internal System and Parts Arrangement



System Weight Details

Designation	Name	Weight per Quantity	No. of Quantity	Total Weight (g)
Structure	UAV Empty Weight	8940	1	8940
	C50-13 XL +6,7:1 Glider Competition	853	1	853
	스피너 : Light Spinner for folding prop (54,5mm)	20	1	20
	Aluminium Hub for folding Props (56/8mm - Welle 6,0mm)	10	1	10
	Glider Servoless Retract	354	1	354
	Hitec HS-7985MG Coreless Digital Servo 10.4kg/62g/0.16sec	155	5	775
	Pitot Tube	10	1	10
	Turnigy TGY-A55H Alloy Case Digital Slim Wing Servo (Metal Gear) 8.6kg / .12sec / 28g	55	4	220
	Speed Controller Castle 160A	224	1	224
	Switching Module	241.35	1	241.35
	FCC Main Board	267	1	267
	FCC Antenna	37	1	37
	FCC GPS	52	1	52
	FCC Connector	60	1	60
	FCC Case	50	1	50
	Receiver R6014 HS	22	1	22

	Controller S/W Module Wireless Buddy Box System 8CH (Dual RX Controller)	15	1	15
	Current Sensor HTS-C200	9	1	9
	Regulator	15	2	30
	GoPro Silver Camera	157	1	157
	Turnigy 5000mAh 4S 30C Lipo Pack (LiPo Battery)	556	2	1112
	AP 1500mA-11.1V(18C,3S1P) (FCC Battery)	212	1	212
Fuel Cell	Fuel Cell Stack	4295	1	4295
	Blower	685	1	685
	Fuel Tank	2135	1	2135
Total				20384